

GASARC™

AN ESAB® BRAND

CHEM MASTER SGD6000 SERIES

6.0 Purity Two Stage Stainless Steel Diaphragm Differential Autochange Gas Control Panel

The Chem Master SGD6000 series single stage differential autochange control panels are designed for primary pressure gas control of corrosive, toxic and high purity gases up to grade 6.0 purity (99.9999%), on gas distribution systems where slight pressure variation is acceptable.

- **SGD6041 Series** | Two Stage Twin Cylinder Diaphragm Differential Autochange Gas Control Panel, FKM Seal, FFKM Pressure Relief Valve
- **SGD6042 Series** | Two Stage Twin Cylinder Diaphragm Differential Autochange Gas Control Panel, EPDM Seal, FFKM Pressure Relief Valve



★ FEATURES

- High pressure isolation valves
- High pressure purge facility
- Two stage pressure regulation
- Process line isolation valve
- Encapsulated seat design
- Twin cylinder configuration

📄 MATERIALS

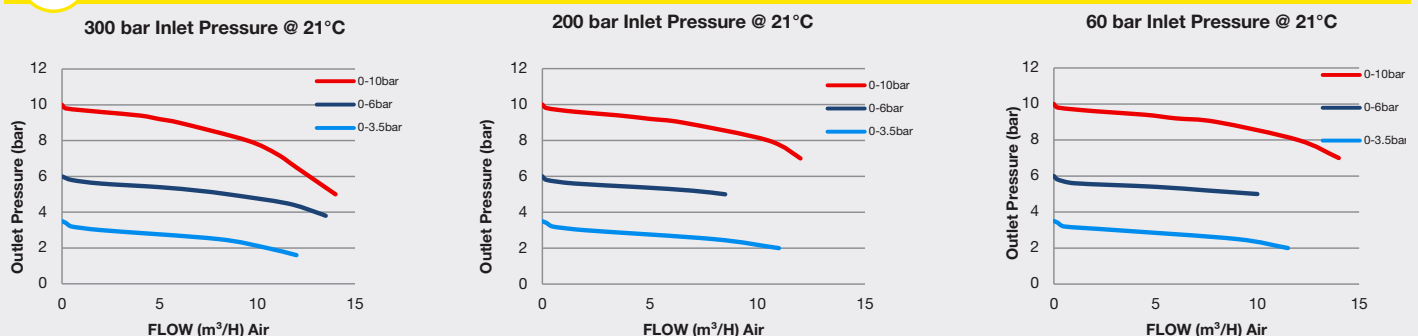
Body	316L Stainless Steel
Bonnet	Nickel Plated Brass Barstock
Diaphragm	316L Stainless Steel
Seal	PTFE
Seat	PCTFE
Filter	10 Micron 316L Stainless Steel

👍 SPECIFICATION

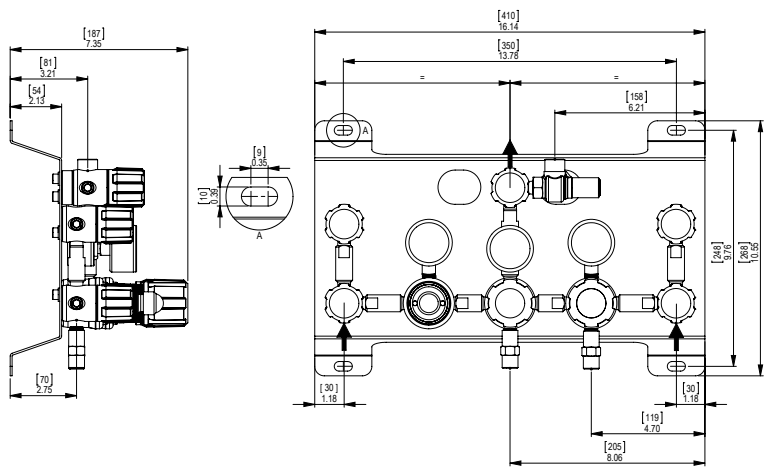
Maximum Inlet Pressure	60 bar (870 PSI) / 300 bar (4350 PSI)*
Delivery Pressure Range	3.5 bar (50 PSI) / 6 bar (90 PSI) / 10 bar (150 PSI)
Gauge	50mm (2") Diameter
Ports	¼" NPT Female
Temperature Range	-20° C to +60° C (-4° F to +140° F)
Flow Coefficient (Cv)	0.078
Helium Leak Integrity	1x10 ⁻⁹ mbar l/s
Weight	8.00kg (17.64 lbs)****

* Subject to cylinder connection. *** Nace and 3.1 material certificates available on request. Please contact the sales office for further information. **** Subject to final configuration.

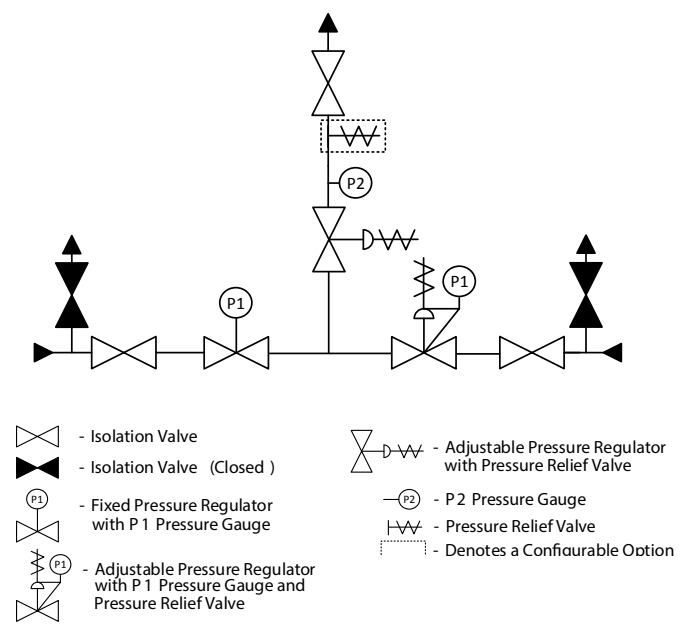
✓ FLOW PERFORMANCE



DIMENSIONS



PROCESS & INSTRUMENTATION



Model No. Selector Guide

Product Type	Inlet Pressure	Outlet Pressure	Inlet Pressure Gauge	Outlet Pressure Gauge	Inlet Connection	Outlet Connection	Options
SGD6041	02 60 bar / 870 PSI	03 -1 - 3.5 bar / 50 PSIG	00 No Gauge Fitted	00 No Gauge Fitted	000 No Inlet Fitted	00 No Outlet Fitted	A No Options Selected
SGD6042	04 300 bar / 4350 PSI	04 -1 - 6 bar / 90 PSIG 05 -1 - 10 bar / 150 PSIG	01 bar/PSI	01 bar/PSI	001 1/8 Stainless Steel Compression	01 1/8 Stainless Steel Compression	F Bonnet Vent Capture Kit
			02 bar/PSI Contact Gauge	02 bar/PSI 3.1 Cert (stainless steel only)***	002 1/4 Stainless Steel Compression	02 1/4 Stainless Steel Compression	G Helium Test Certificate
			03 bar/PSI 3.1 Cert (stainless steel only)***		003 6mm Stainless Steel Compression	03 6mm Stainless Steel Compression	H 3.1 Material Certificate***
			04 bar/PSI Contact Gauge 3.1 Cert (stainless steel only)***		004 1/4 NPT Male	04 1/4 NPT Male	J NACE Certificate***
							K Certificate of Conformity
							M CO2 Burst Disc
							P Calibration / Pressure Test Certificate
							R Fitted Pipeline Pressure Relief Valve, FKM Seal
							S Fitted Pipeline Pressure Relief Valve, EPDM Seal
							X Special Instruction