



CHEM MASTER SGC6000 SERIES

6.0 Purity Stainless Steel Diaphragm In-Line Outlet Point

Chem Master SGC6000 series diaphragm in-line outlet points are designed for secondary pressure gas control of corrosive, toxic and high purity gases up to grade 6.0 purity (99.9999%), on gas distribution systems.

- **SGC6001 Series** | Single Stage Wall Mounting Diaphragm Inline Outlet Point, FKM Seal
- **SGC6002 Series** | Single Stage Wall Mounting Diaphragm Inline Outlet Point, EPDM Seal

★ FEATURES

- Isolation valve
- Non-return valve
- Encapsulated seat design
- Full range of inlet and outlet fittings
- Wall mounting

📄 MATERIALS

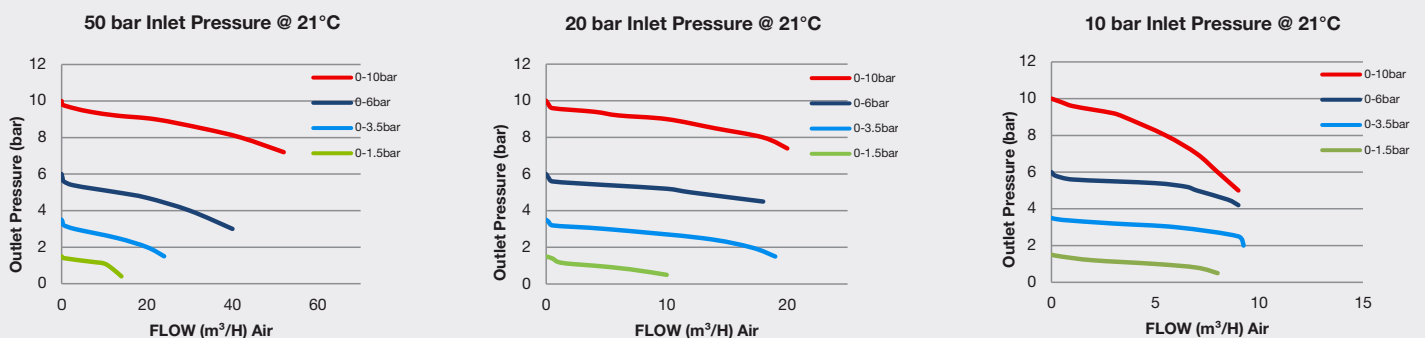
Body	316L Stainless Steel
Bonnet	Nickel Plated Brass Barstock
Diaphragm	316L Stainless Steel
Seal	PTFE
Seat	PCTFE
Filter	10 Micron 316L Stainless Steel

👍 SPECIFICATION

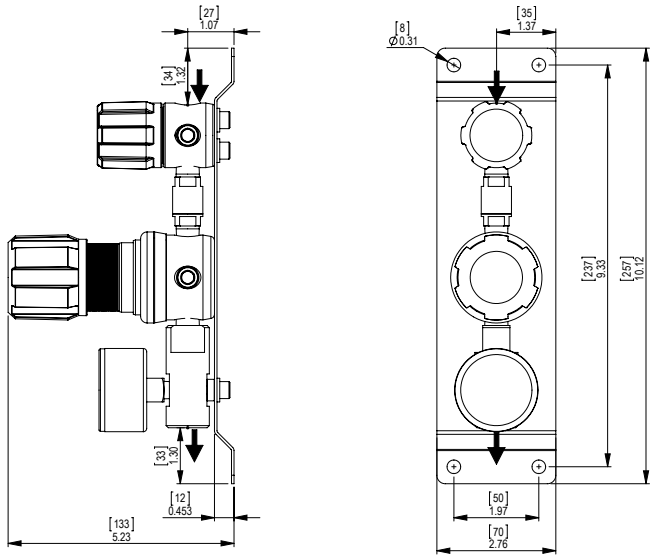
Maximum Inlet Pressure	207 bar (3000 PSI)
Delivery Pressure Range	1.5 bar (22 PSI) / 3.5 bar (50 PSI) / 6 bar (90 PSI) / 10 bar (150 PSI)
Gauges	50mm (2") Diameter
Ports	1/4" NPT Female
Temperature Range	-20° C to +60° C (-4° F to +140° F)
Flow Coefficient (Cv)	0.1
Helium leak Integrity	1 x 10 ⁻⁹ mbar l/s
Weight	2.05 kg (5.52 lbs)

*** NACE and 3.1 material certificates available on request, please contact the sales office for further information

✓ FLOW PERFORMANCE






DIMENSIONS



PROCESS & INSTRUMENTATION



 - Isolation Valve
 - Non-Return Valve
 - Adjustable Pressure Regulator with P2 Pressure Gauge

Model No. Selector Guide

Product Type	Inlet Pressure	Outlet Pressure	Inlet Pressure Gauge	Outlet Pressure Gauge	Inlet Connection	Outlet Connection	Options
SGC6001	03 207 bar / 3000 PSI	02 -1 - 1.5 bar / 22 PSIG	00 No Gauge Fitted	00 No Gauge Fitted	000 No Inlet Fitted	00 No Outlet Fitted	A No Options Selected
SGC6002		03 -1 - 3.5 bar / 50 PSIG		01 bar/PSI	001 1/8 Stainless Steel Compression	01 1/8 Stainless Steel Compression	F Bonnet Vent Capture Kit
		04 -1 - 6 bar / 90 PSIG		02 bar/PSI inc. 3.1 Cert**	002 1/4 Stainless Steel Compression	02 1/4 Stainless Steel Compression	G Helium Test Certificate
		05 -1 - 10 bar / 150 PSIG			003 6mm Stainless Steel Compression	03 6mm Stainless Steel Compression	H 3.1 Material Certificate***
					004 1/4 NPT Male	04 1/4 NPT Male	J NACE Certificate***
							K Certificate of Conformity
							L Panel Mount Locking Nut Kit
							P Calibration/ Pressure Test Certificate
							X Special Instruction