

# GASARC™

AN ESAB® BRAND

## TECH MASTER GPD4000 SERIES

### 4.5 Purity Two Stage Brass Barstock Diaphragm BS EN ISO 7291 Differential Autochange Gas Control Panel

The Tech Master GPD4000 series two stage differential autochange control panels are designed for primary pressure gas control of non-corrosive or toxic, technical gases up to grade 4.5 purity (99.995%), on gas distribution systems where constant delivery pressure is required.

- **GPD4041 Series** | Two Stage Twin Cylinder Diaphragm Differential Autochange Gas Control Panel, FKM Seal, FKM Pressure Relief Valve
- **GPD4042 Series** | Two Stage Twin Cylinder Diaphragm Differential Autochange Gas Control Panel, EPDM Seal, EPDM Pressure Relief Valve



### ★ FEATURES

- High pressure isolation valves
- Two stage pressure regulation
- Process line isolation valve
- Encapsulated seat design
- Twin cylinder configuration

### 📄 MATERIALS

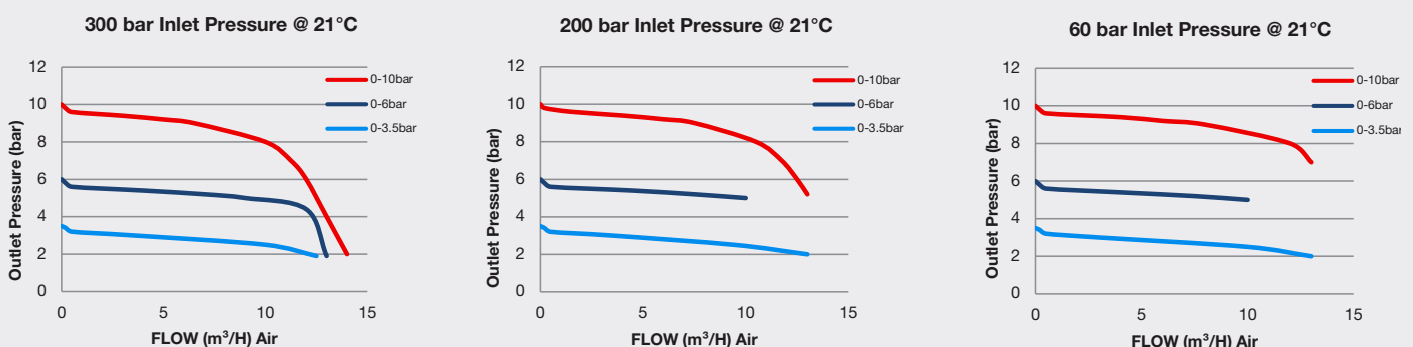
Body	Brass Barstock
Bonnet	High Strength Alloy
Diaphragm	Polychloroprene (Neoprene®) (CR)
Seat	Polyamide (Nylon®)
Filter	10 Micron 316L Stainless Steel

### 👍 SPECIFICATION

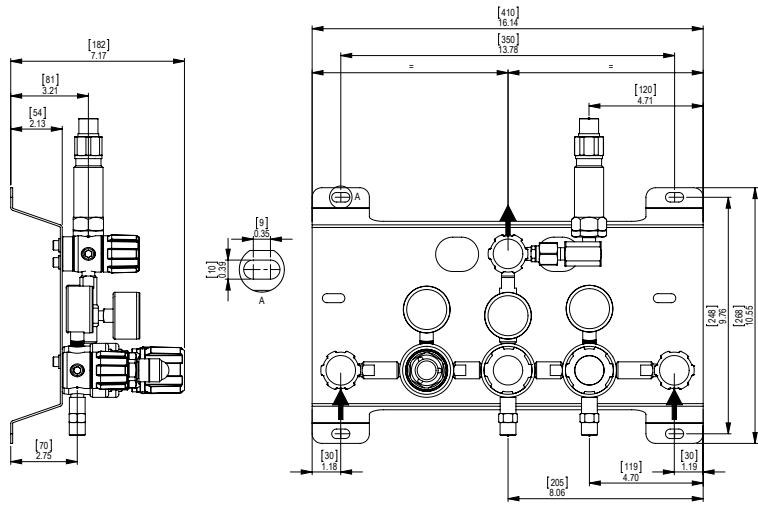
Maximum Inlet Pressure	60 bar (870 PSI) / 300 bar (4350 PSI)*
Delivery Pressure Range	3.5 bar (50 PSI) / 6 bar (90 PSI) / 10 bar (150 PSI)
Gauge	50mm (2") Diameter
Ports	1/4" NPT Female
Temperature Range	-20° C to +60° C (-4° F to +140° F)
Flow Coefficient (Cv)	0.078
Weight	8.00kg (17.64 lbs)****

\* Subject to cylinder connection. \*\*\*\* Subject to final configuration.

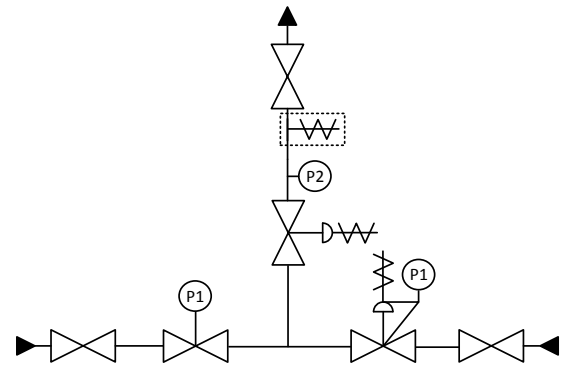
### ✓ FLOW PERFORMANCE



# DIMENSIONS



# PROCESS & INSTRUMENTATION



- Isolation Valve
- Fixed Pressure Regulator with P1 Pressure Gauge
- Adjustable Pressure Regulator with P1 Pressure Gauge and Pressure Relief Valve
- Adjustable Pressure Regulator with Pressure Relief Valve
- P2 Pressure Gauge
- Pressure Relief Valve
- Denotes a Configurable Option

## Model No. Selector Guide

Product Type	Inlet Pressure	Outlet Pressure	Inlet Pressure Gauge	Outlet Pressure Gauge	Inlet Connection	Outlet Connection	Options	
GPD4041	02 60 bar / 870 PSI	03 -1 - 3.5 bar / 50 PSIG	00 No Gauge Fitted	00 No Gauge Fitted	000 No Inlet Fitted	00 No Outlet Fitted	A No Options Selected	
GPD4042	04 300 bar / 4350 PSI	04 -1 - 6 bar / 90 PSIG	01 bar/PSI	01 bar/PSI	001 1/8 Stainless Steel Compression	01 1/8 Stainless Steel Compression	K Certificate of Conformity	
					002 1/4 Stainless Steel Compression	02 1/4 Stainless Steel Compression	M CO2 Burst Disc	
		05 -1 - 10 bar / 150 PSIG	02 bar/PSI Contact Gauge	02 bar/PSI Contact Gauge	003 6mm Stainless Steel Compression	03 6mm Stainless Steel Compression	P Calibration / Pressure Test Certificate	
					004 1/4 NPT Male	04 1/4 NPT Male	R Fitted Pipeline Pressure Relief Valve, FKM Seal	
		007 G3/8 BSP R/H Brass Male	06 G1/2 BSP R/H Brass Male	06 G1/2 BSP R/H Brass Male	008 G3/8 BSP L/H Brass Male	07 G3/8 BSP R/H Brass Male	07 G3/8 BSP R/H Brass Male	S Fitted Pipeline Pressure Relief Valve, EPDM Seal
								08 G3/8 BSP L/H Brass Male
								U Fitted High Pressure Purge Facility, EPDM Seal
								X Special Instruction